

PAMS Technical Documentation

RAE-3NU* Series PDA

12. Accessories

CONTENTS

	Page No
General Accessories	12 - 5
Battery Pack BLL-3	12 - 5
Product Codes	12 - 5
View of BLL-3	12 - 5
Performance Travel Charger ACP-9	12 - 6
Fast Travel Charger ACP-12	12 - 7
Data Cable DLR-2	12 - 8
Product Code	12 - 8
View of DLR-2	12 - 8
Memory Card DTS-64	12 - 9
Product Code	12 - 9
View of DTS-64	12 - 9
Portable Accessories	12 - 10
Audio Headset HDC-8L	12 - 10
Product Code	12 - 10
View of HDC-9	12 - 10
Mobile Charger LCH-9	12 - 11
Product Code	12 - 11
View of LCH-9	12 - 11
Carry Case CBR-44	12 - 12
Product Code	12 - 12
View of CBR-44	12 - 12
Office Use Accessories	12 - 13
Desktop Stand DCH-10	12 - 13
Product Code	12 - 13
View of DCH-10	12 - 13
Fast Travel Charger ACP-9	12 - 14
Data Cable DLR-2L	12 - 14
Advanced Handsfree Car Installation Kit CARK109	12 - 15
Advanced Active Car Holder CRM-1	12 - 16
Product Code	12 - 16
View of CRM-1	12 - 16
Swivel Mount HHS-13	12 - 17
Product Code	12 - 17
View of HHS-13	12 - 17
Mounting plate MKU-1	12 - 17
Product Code	12 - 17
Advanced HF Unit HFU-2	12 - 18
Product Code	12 - 18
View of HFU-2	12 - 18

Power Cable PCH-4J	12 - 19
Product Code	12 - 19
View of PCH-4J	12 - 19
Handsfree Microphone HFM-8	12 - 19
Product Code	12 - 19
View of HFM-8	12 - 19
External HF Speaker HFS-12	12 - 20
Product Code	12 - 20
View of HFS-12	12 - 20
Handset HSU-1 (not included)	12 - 20
Product Code	12 - 20
View of HSU-1	12 - 20
Antenna Set NMT/GSM 900/1800 AMD-2 (not included) ...	12 - 21
Upgrade kit CARK110	12 - 21

General Accessories

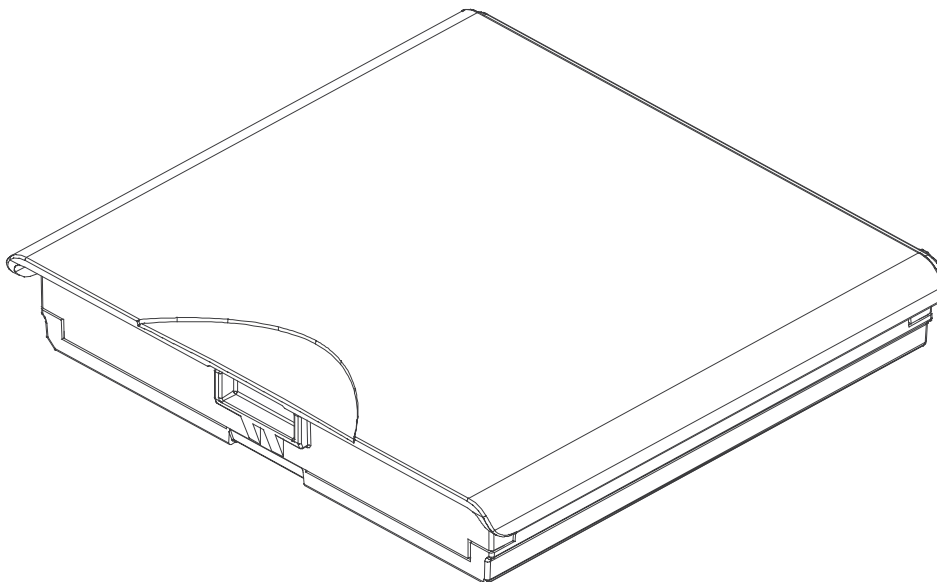
Battery Pack BLL-3

BLL-3 is a lithium ion battery with 1300 mAh capacity.

Product Codes

Battery Pack BLL-3 (English label)	0670290
Battery Pack BLL-3 (French label)	0670363

View of BLL-3

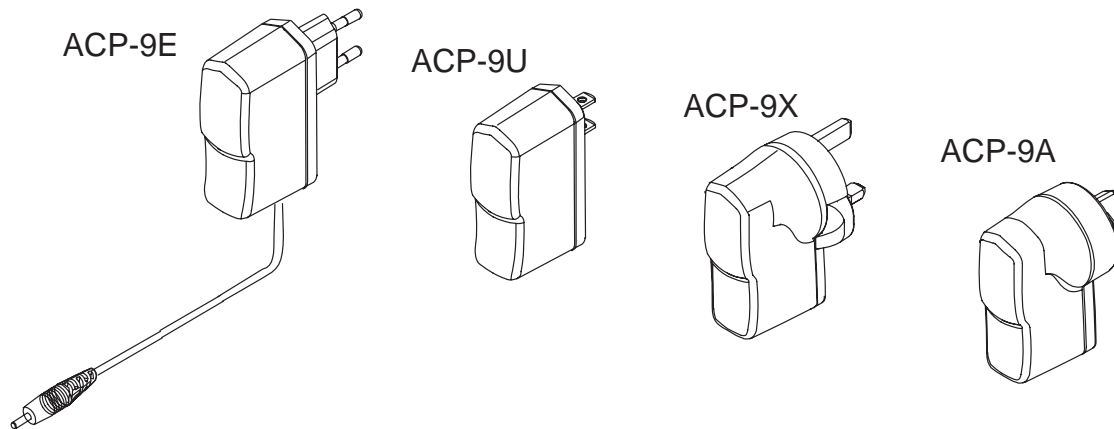


Performance Travel Charger ACP-9

Operating within the voltage range 90 V...264 V AC (50 Hz...60 Hz), the Travel Charger is practically current independent in normal office and household use. Like the standard charger, it is compatible with all battery options and is available for different wall sockets.

The Performance Travel Charger can also be used with basic stand and desk-top stand.

Travel Charger (Euro plug) 90-264 Vac	ACP-9E	0675151
Travel Charger (Chinese plug) 90-264 Vac ACP-9C	0675204
Travel Charger (UK plug) 90-264 Vac	ACP-9X	0675150
Travel Charger (Australia) 90-264 Vac	ACP-9A	0675152
Output cable (supplied with ACP-9):	PCC-1	0730076



Output connectors: *3.5 mm DC plug, 3-pole (+, -, control)*

Protection: *output current limiting, max. 850 mA*
output voltage limiting, max. 9.3 V (unloaded)

Output voltage/current (typ): *8.4 V / 800 mA*

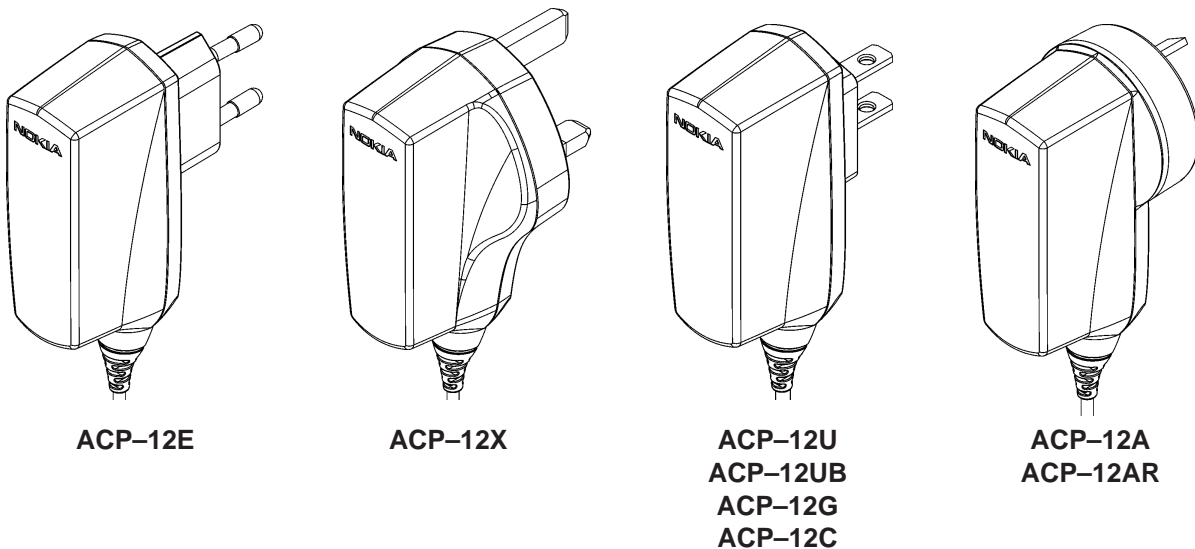
Weight approx. with cable *100 g*

Fast Travel Charger ACP-12

Operating within the voltage range depends on country specific AC mains voltage (100 - 240 V). Like the standard charger, it is compatible with all battery options and is available for different wall sockets.

The Fast Travel Charger can also be used with desktop stand.

Fast Travel Charger	ACP-12 C	0675297
Fast Travel Charger	ACP-12 G	0675295
Fast Travel Charger	ACP-12 U	0675303
Fast Travel Charger	ACP-12 UB	0675293
Fast Travel Charger	ACP-12 E	0675294
Fast Travel Charger	ACP-12 X	0675296
Fast Travel Charger	ACP-12 AR	0675298
Fast Travel Charger	ACP-12 A	0675300



- Fast Travel Charger ACP-12E Euro-plug, operating voltage 90 .. 264 Vac
- Fast Travel Charger ACP-12U/UB/G/C US-plug, operating voltage 90 .. 264 Vac
- Fast Travel Charger ACP-12X UK-plug, operating voltage 90 .. 264 Vac
- Fast Travel Charger ACP-12A/AR Australia-plug, operating voltage 90 .. 264 Vac

Specification

Output connectors: 3.5 mm DC plug, 2-pole (+, -, control)

Protection: Output current limiting, max. 0.85 A

Output voltage/current (typ): 6.0 V (±0.3 V)/0.8 A

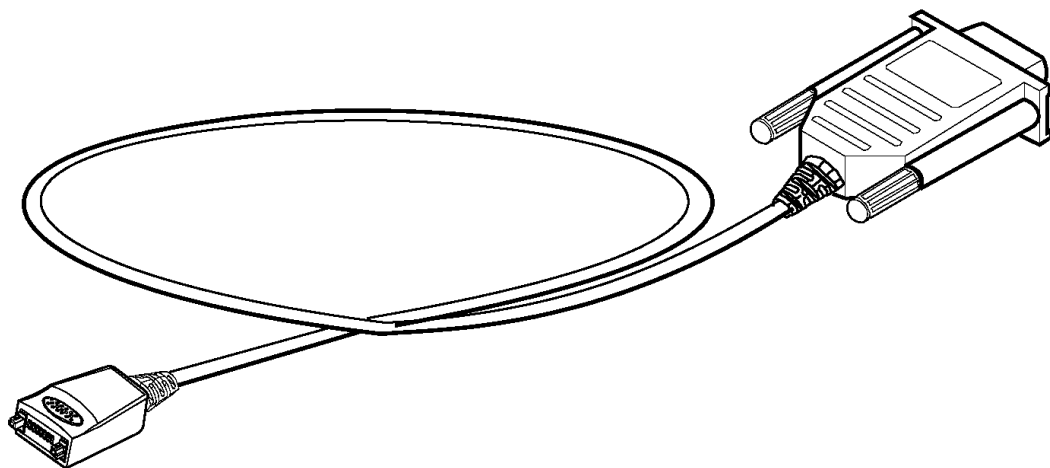
Data Cable DLR-2

RS-232 Data cable DLR-2 to be used for PC connectivity and fax mode. Connected between PC serial port and transceiver system connector.

Product Code

Data Cable DLR-2: 0730132

View of DLR-2



Memory Card DTS-64

The PDA includes a synchronous serial interface that is compatible with the Multimedia Card Bus (MMC) Protocol. The Memory card is a changeable Flash or ROM memory card with variable memory size, DTS-64 memory capacity is 64Mbytes .

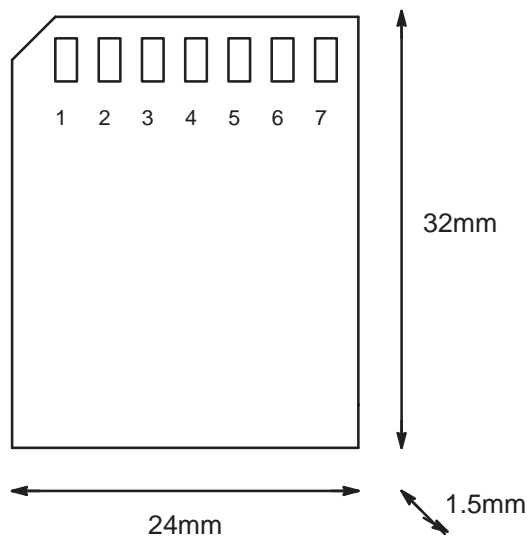
RAE-3 is compatible with 4MByte and 8MByte cards also.

Product Code

Memory Card DTS-64:

0273026

View of DTS-64



Portable Accessories

Audio Headset HDC-8L

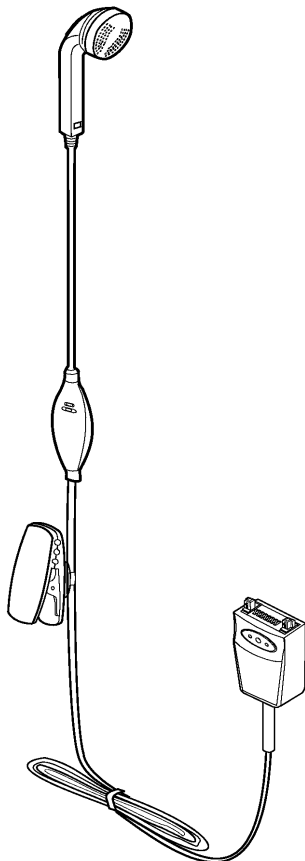
The audio headset can be used for normal voice calls instead of the PC audio.

Product Code

Headset HDC-8L

0271368

View of HDC-9



Mobile Charger LCH-9

Charging adapter for car environment;

Input voltage 9...32 V

Output voltage 7.8 V /+1.4V/-1.0V)

Charger type Switching mode power supply

Operation quick charge (< 0.5-2.5 h), trickle charge

Protection input fused, output current limit

Green LED indicating input voltage on

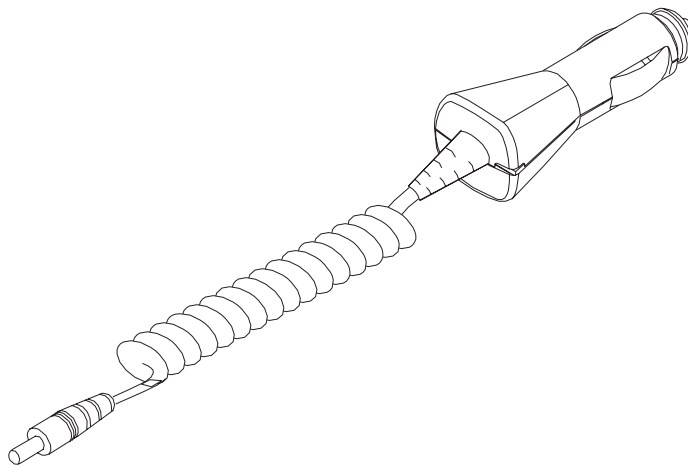
Weight Appx. 78g

Product Code

Portable charger LCH-9

0675005

View of LCH-9



Carry Case CBR-44

Used to carry the phone on belt.

Product Code

Carry Case CBR-44 0720262

View of CBR-44



Office Use Accessories

Desktop Stand DCH-10

The desktop stand DCH-10 is designed for calendar data synchronization between a PC and a Communicator with a button press.

The front slot holds and charges the phone, and the rear slot holds and charges a spare battery.

The desk stand includes red and green LEDs to show the status of the spare battery charging in the rear slot.

The desk stand supports charging of 4.1V and 4.2V lithium-ion batteries.

The desk stand is powered by an external ACP-9 type charger.

When a RAE-3 is placed in the front slot it is charged at the same rate as if the external charger was connected directly to the phone. When a spare BLL-3 battery is placed in the rear slot, it is charged at a slower rate. Charging of the spare battery is delayed until the phone has finished charging.

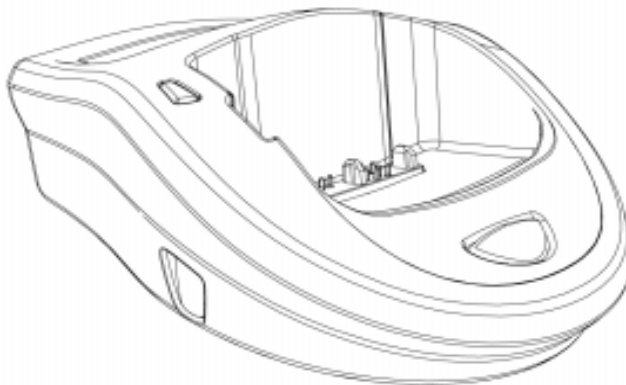
The front slot provides data connection between the deskstand connected PC and the RAE-3. The host PC is connected by Nokia data cable to the rear of the desk stand. The PC must have the Nokia "Share" software running for the data transfer to the PC to be successful.

Product Code

Desktop stand DCH-10 0675209

Desktop stand DCH-10 (chinese variant) 0675222

View of DCH-10



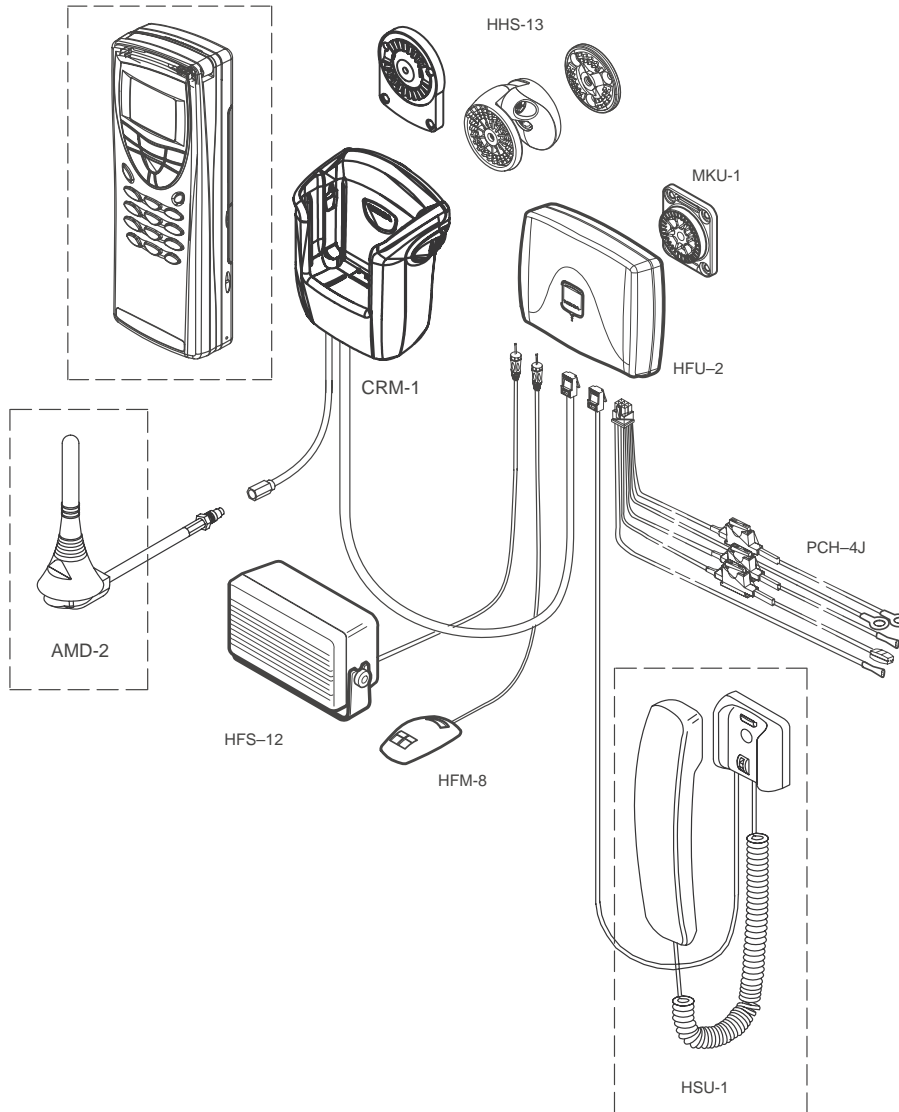
Fast Travel Charger ACP-9

Identical with the item in the basic sales package.

Data Cable DLR-2L

Identical with the item in the basic sales package.

Advanced Handsfree Car Installation Kit CARK109



Item:	Accessory:	Type	Product code:
1	Active Car Cradle	CRM-1	0630220
2	Handsfree Unit	HFU-2	0694049
3	Handsfree Microphone	HFM-8	0690016
4	Handsfree Speaker	HFS-12	0692008
5	Power Cable	PCH-4J	0730055
6	Swivel mount	HHS-13	0620055
7	Mounting Plate	DMS00601	0620036
8	Active Handset (Optional)	HSU-1	0730091

Advanced Active Car Holder CRM-1

The holder for the mobile phone is attached to the vehicle's interior in a convenient position using the swivel mount HHS-13. The mounting is secured with a screw (included with HHS-13).

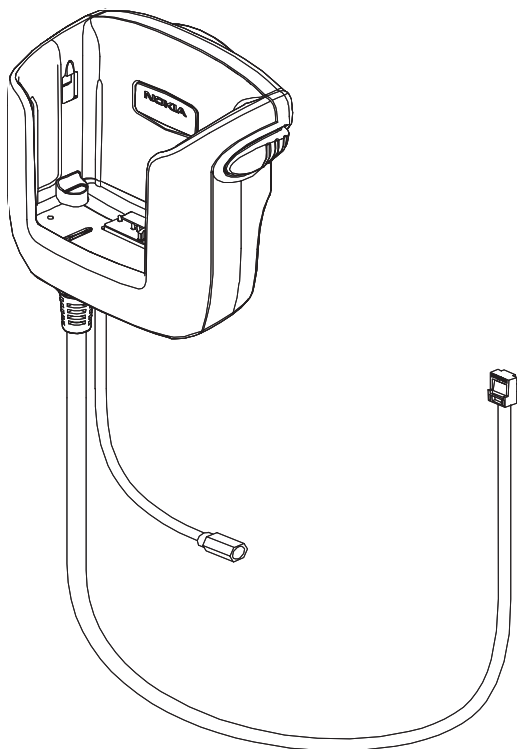
The cable with the plug-in connector from CRM-1 connects to the **PHONE** socket in HFU-2. (The other cable from CRM-1 connects to the external antenna.)

Product Code

Active Car Holder CRM-1

0630220

View of CRM-1



Swivel Mount HHS-13

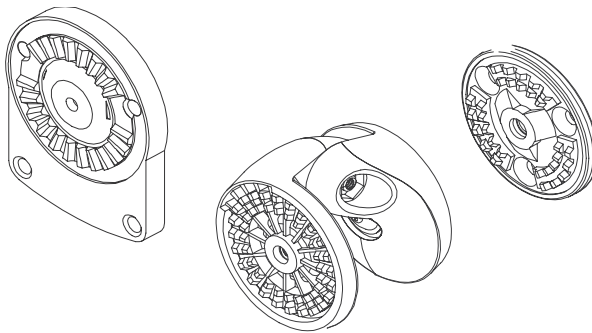
HHS-13 offers two installation methods for the holder CRM-1. Either use all components to make a swivel mount, or use the flat mounting plate for a fixed position.

Product Code

Swivel Mount HHS-13

0620055

View of HHS-13



Mounting plate MKU-1

The handsfree unit HFU-2 can be attached to the vehicle interior using the mounting plate MKU-1.

Product Code

Mounting plate MKU-1

0620036

Advanced HF Unit HFU-2

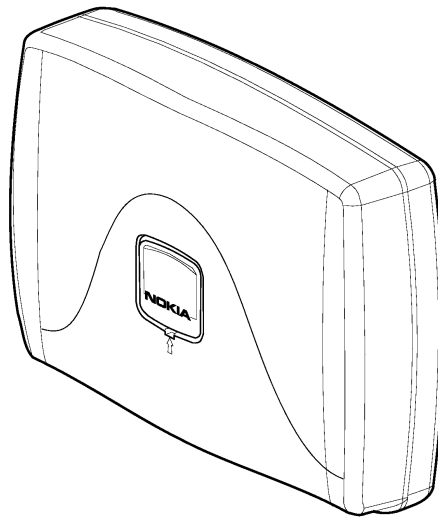
The handsfree unit HFU-2 enables the phone to operate in handsfree mode and it is attached to the vehicle interior using the mounting plate MKU-1.

Product Code

Advanced HF Unit HFU-2

0694049

View of HFU-2



Power Cable PCH-4J

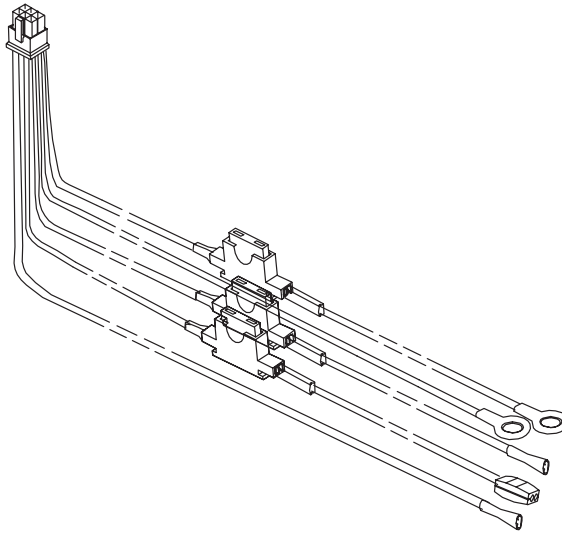
The power cable connects to the **DC** socket in HFU-2 and to the vehicle's power supply. See section "Installation" for more information.

Product Code

Power Cable PCH-4J

0730055

View of PCH-4J



Handsfree Microphone HFM-8

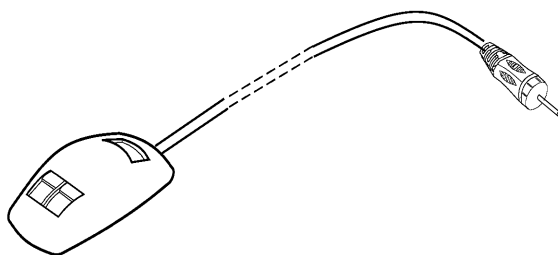
The microphone connects to the **MIC** socket in HFU-2. Twist the plug clockwise to lock firmly in place.

Product Code

Power Cable HFM-8

0690016

View of HFM-8



External HF Speaker HFS-12

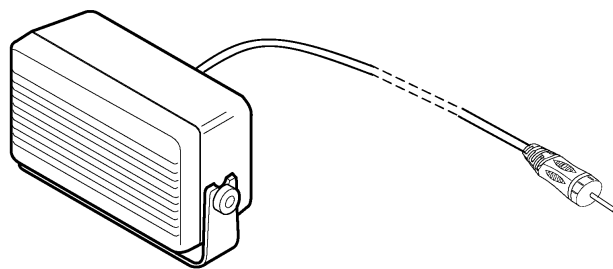
The external HF speaker connects to the **SPEAKER** socket in HFU-2. Twist the plug clockwise to lock firmly in place.

Product Code

External HF speaker HFS-12

0692008

View of HFS-12



Handset HSU-1 (not included)

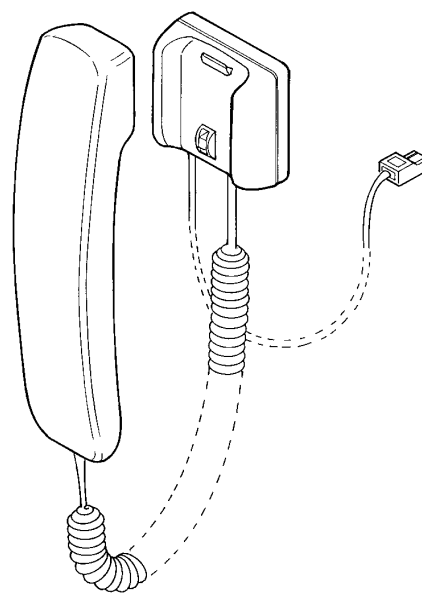
The handset HSU-1 offers more privacy during a call. It connects to the **DATA/HANDSET** socket in HFU-2. For more information, please refer to the user guide for the handset.

Product Code

Handset HSU-1

0640047

View of HSU-1



Antenna Set NMT/GSM 900/1800 AMD-2 (not included)

Upgrade kit CARK110

CARK99 installation kit can be upgraded to CARK109 installation kit with upgrade car kit CARK110.

CARK110 comprises the following items:

Active Car Cradle CRM-1

Swivel Mount HHS-13

User Guide

This page intentionally left blank.